

# Antenna, Puck

## ERF4117

### Description

The ERF4117 antenna is an external LTE antenna with an SMA male connector. The antenna can be used in the frequency range of 690-960 / 1710-2700 MHz.

### Technology

- LTE-M / CAT-M
- ISM
- Zigbee
- GSM/UMTS
- 5G/4G/3G/2G
- WiFi
- Bluetooth



Mechanical Properties	Description
Antenna	External Antenna
Connector	SMA Male
Cable	200 cm $\pm$ 1
Cable	RG174
Dimensions	48.0*50.0*50.0 mm
Operating Temperature	-40°C~+85°C
Storage Temperature	-40°C~+85°C
Ingress Protection:	IP67

# Antenna, Puck

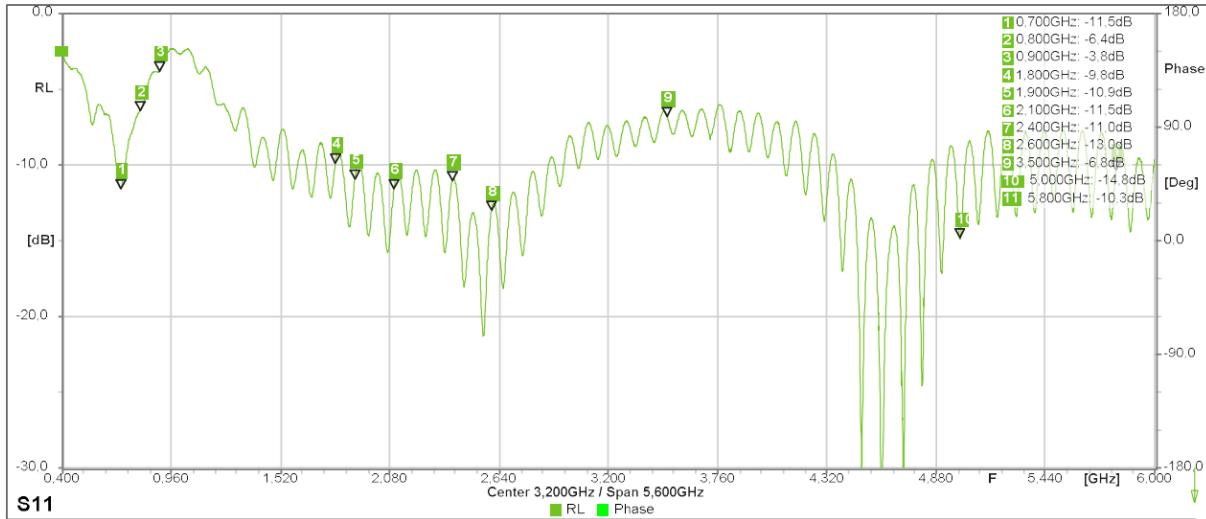
ERF4117

## Features

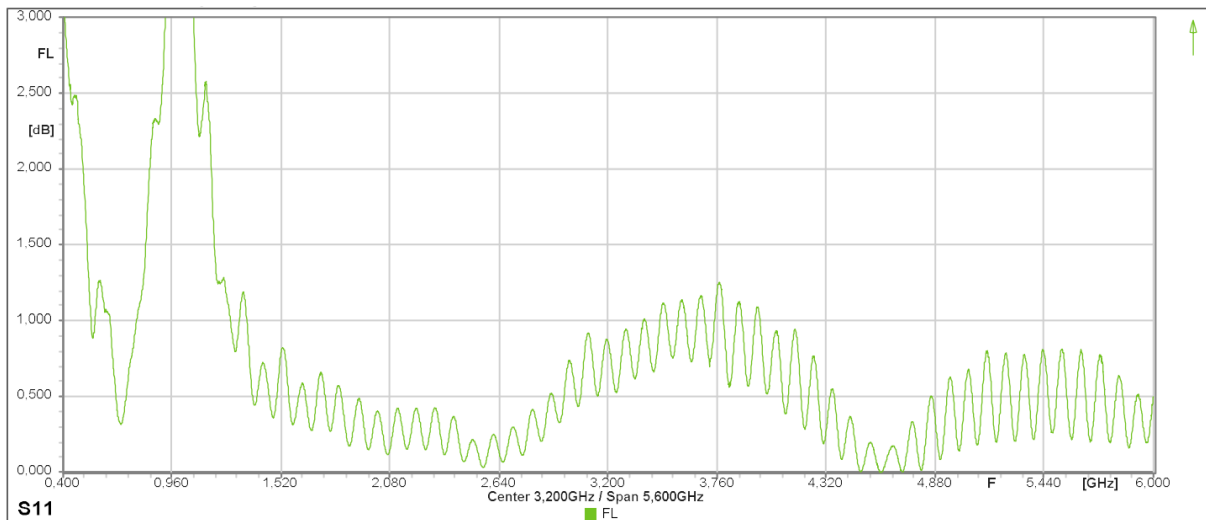
Electrical Properties	Description		
Frequency marker	Frequency band MHz	Return loss dB	V.S.W.R.
1	700	-11,5	<1.7
2	800	-6.4	<2.8
3	900	-3.8	<4.6
4	1.800	-9.8	<2.0
5	1.900	-10.9	<1.8
6	2.100	-11.5	<1.7
7	2.400	-11.0	<1.8
8	2.600	-13.0	<1.6
9	3.500	-6.8	<2.7
10	5.000	-14.8	<1.4
11	5.800	-10.3	<1.9
Nominal Impedance		50 $\Omega$	
Polarization		Linear	
Gain		2.0 dBi	

## Antenna Properties

### Return Loss



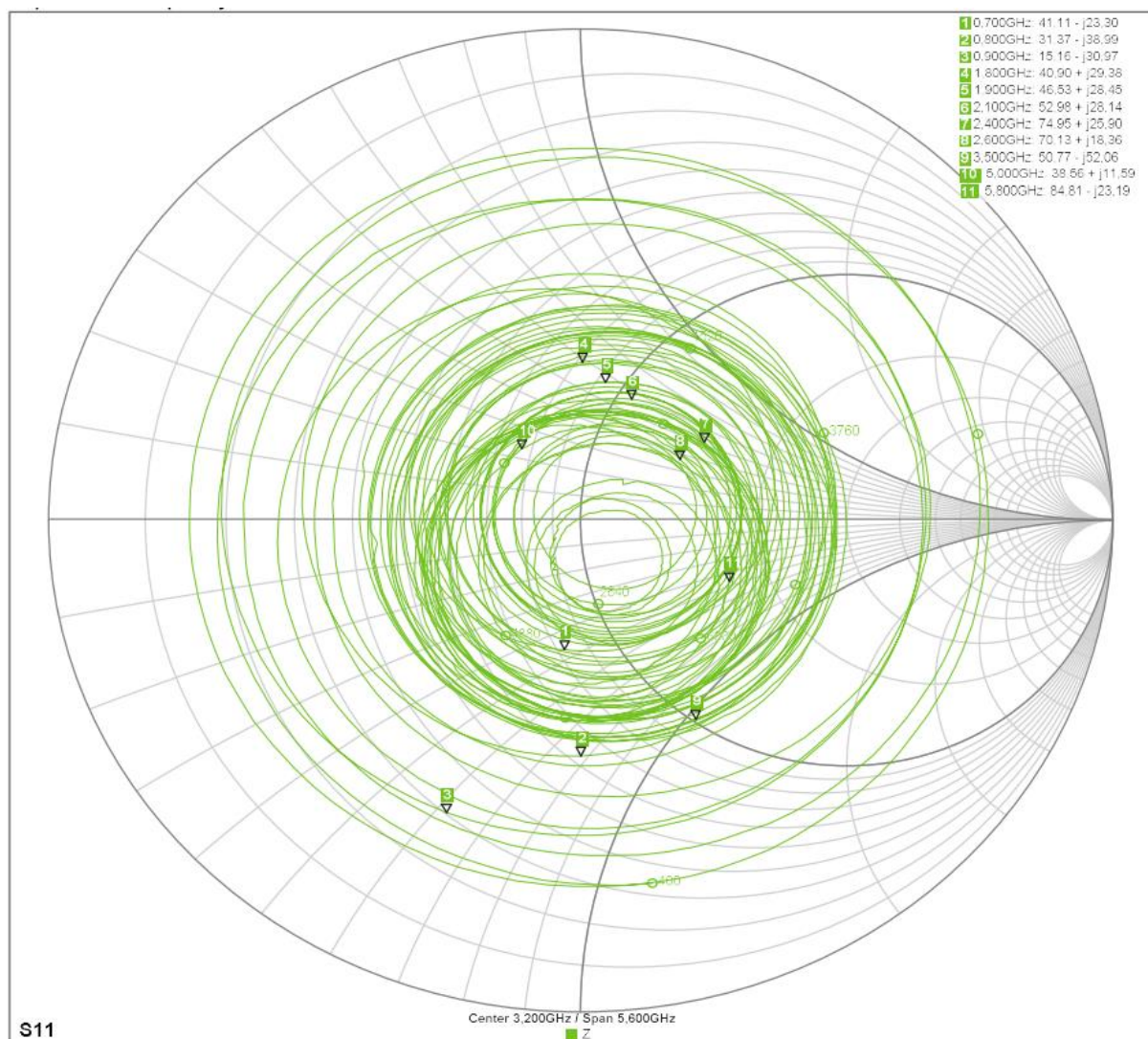
### Forward Loss



# Antenna, Puck

ERF4117

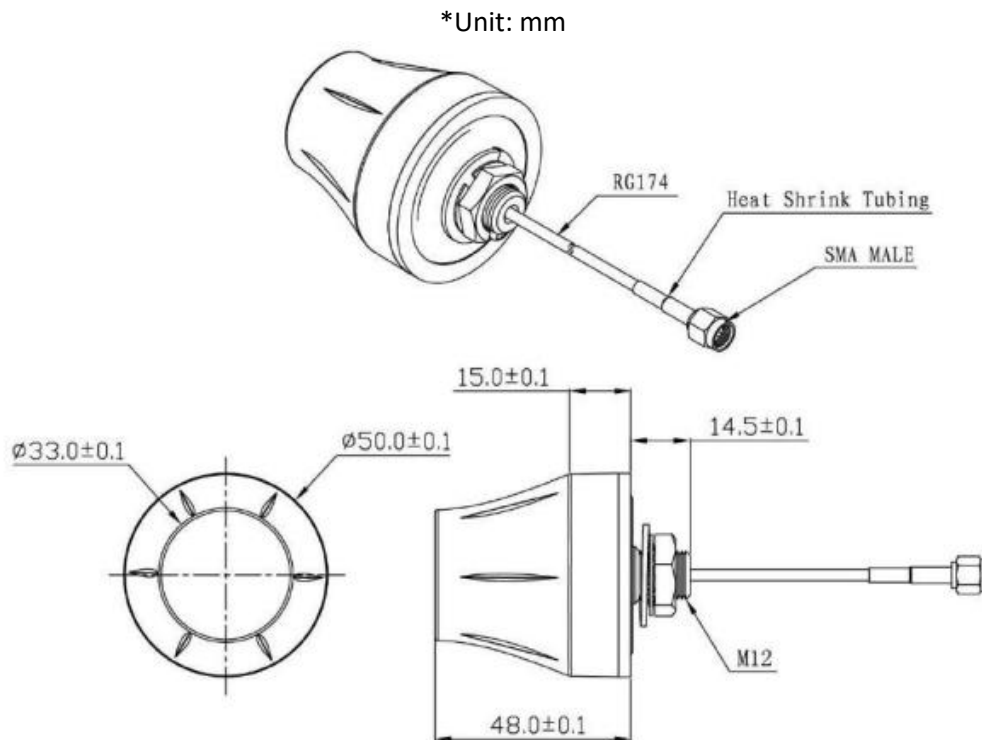
Impedance



# Antenna, Puck

ERF4117

## Dimensions



## Connector



The ERF4117 antenna uses an SMA male connector.

## Ordering information

Ordering can be done via [www.summit-electronics.com](http://www.summit-electronics.com) or via [info@summit-electronics.com](mailto:info@summit-electronics.com). Please contact us for more information. Customisation of the product is available on request.

## Technical support

For all product questions please contact us via [info@summit-electronics.com](mailto:info@summit-electronics.com)

## Document revision

Rev	Date	changes
V01.00	06-04-2023	First issue of document